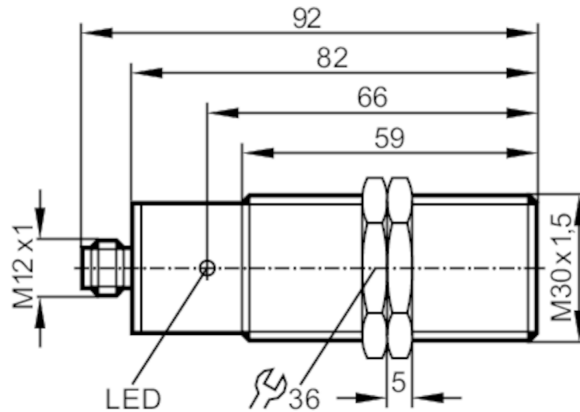


# II5751



## Inductive sensor

IIA2010-FRKG/V4A/US-100-IRF/AU



| Product characteristics                              |                                      |
|--|--------------------------------------|
| Electrical design                                    | PNP/NPN                              |
| Output function                                      | normally open / closed; (selectable) |
| Sensing range [mm]                                   | 10                                   |
| Housing  | Threaded type                        |
| Dimensions [mm]                                      | M30 x 1.5 / L = 92                   |
| Application  |                                      |
| System   | gold-plated contacts                 |
| Application  | Industrial applications              |
| Electrical data                                      |                                      |
| Operating voltage [V]                                | 10...55 DC                           |
| Protection class                                     | II                                   |
| Reverse polarity protection                          | yes                                  |
| Outputs  |                                      |
| Electrical design                                    | PNP/NPN                              |
| Output function                                      | normally open / closed; (selectable) |
| Max. voltage drop switching output DC [V]            | 4.6                                  |
| Minimum load current [mA]                            | 4                                    |
| Max. leakage current [mA]                            | 0.8                                  |
| Permanent current rating of switching output DC [mA] | 400                                  |
| Switching frequency DC [Hz]                          | 450                                  |
| Short-circuit protection                             | yes                                  |
| Type of short-circuit protection                     | yes (non-latching)                   |
| Overload protection                                  | yes                                  |
| Monitoring range                                     |                                      |
| Sensing range [mm]                                   | 10                                   |
| Real sensing range Sr [mm]                           | 10 ± 10 %                            |

# II5751



## Inductive sensor

IIA2010-FRKG/V4A/US-100-IRF/AU

|                                      |                  |  |
|--------------------------------------|------------------|--|
| Operating distance                   | [mm]             | 0...8.1  |
| <b>Accuracy / deviations</b>         |                  |  |
| Correction factor                    |                  | steel: 1 / stainless steel: 0.7 / brass: 0.5 / aluminum: 0.4 / copper: 0.3 |
| Hysteresis                           | [% of Sr]        | 3...15   |
| Switch-point drift                   | [% of Sr]        | -10...10   |
| <b>Operating conditions</b>          |                  |  |
| Ambient temperature                  | [°C]             | -25...80   |
| Protection                           |                  | IP 67  |
| <b>Tests / approvals</b>             |                  |  |
| EMC                                  | EN 60947-5-2     |  |
|                                      | EN 55011         | class B  |
| MTTF                                 | [years]          | 1835   |
| <b>Mechanical data</b>               |                  |  |
| Weight                               | [g]              | 160  |
| Housing                              |                  | Threaded type  |
| Mounting                             |                  | flush mountable  |
| Dimensions                           | [mm]             | M30 x 1.5 / L = 92   |
| Thread designation                   |                  | M30 x 1.5  |
| Material                             |                  | stainless steel (1.4571/316Ti ); sensing face: PC                          |
| <b>Displays / operating elements</b> |                  |  |
| Display                              | Switching status | 1 x LED, yellow  |
| <b>Accessories</b>                   |                  |  |
| Items supplied                       |                  | lock nuts: 2   |
| <b>Remarks</b>                       |                  |  |
| Pack quantity                        |                  | 1 pcs.   |

# II5751



## Inductive sensor

IIA2010-FRKG/V4A/US-100-IRF/AU

### Electrical connection - plug

Connector: 1 x M12; coding: A; Contacts: gold-plated

